

# PV Logic<sup>®</sup> Brackets



Solar  
Technology  
International  
Without boundaries

## User manual



### Pole/Wall Mounting Bracket

Part number: FKA10/FKA11

---

Important: please read before first use.

**Technical helpline 01684 774 000**

## Assembly

Illustration demonstrates the relationship of the parts. Lay your PV module face down on a non-scratch surface.

Using the fixings provided attach the upper and lower brackets to the module. Ensure the brackets are centred along the length of the module. Securely tighten all module bolts.

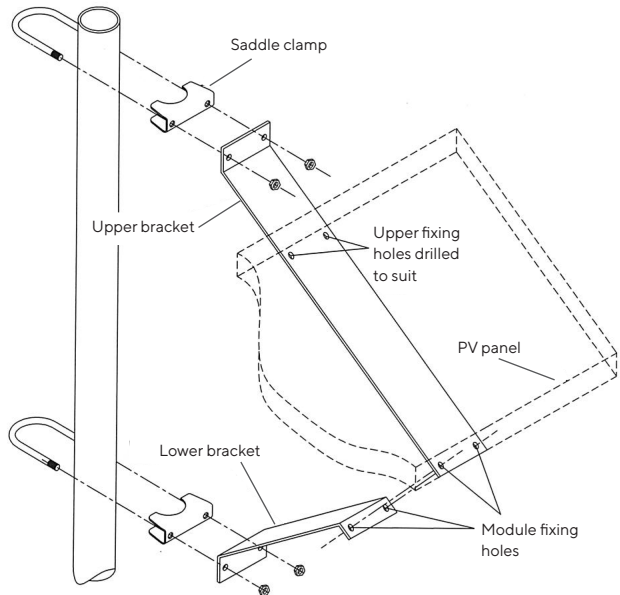
Mount the module and frame to the pole with the U bolts, clamps and nuts supplied. Ensure the brackets are centred on the saddle clamps.

**Finger tighten the flange nuts.**

## Final adjustment

To ensure optimum performance the solar panel must be aligned to true South (in the northern hemisphere) or North (in the southern hemisphere). Rotate the assembly on the pole to the correct orientation.

**Finger tighten the saddle clamps securely.**



## We want your photos and videos!

Here is your chance for you and your solar panel to be a star! Just send in pics or videos of you and your solar panel in a great location and if selected we will not only give you ever lasting recognition on our online favourite users wall of fame but we will send you a Freeloader Sixer, 6000mAh solar power bank worth £70 completely free!

Please send to [hello@solartechnology.co.uk](mailto:hello@solartechnology.co.uk) including your address details and best of luck!

**Note** – we cannot guarantee to publish every entry and only those selected by our marketing department for publication will be awarded a Sixer. By providing your images you automatically grant us the right to use these images or videos howsoever we see fit.

